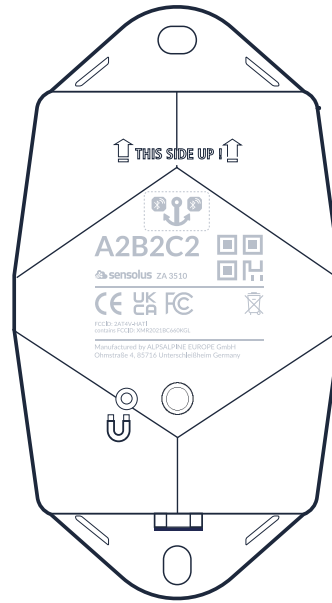


The externally powered zone anchor with back up battery for localization of assets equipped with Bluetooth tag trackers in a dedicated zone. The zone anchors scans continuously when net powered.

- Installed at a fixed location
- Scans Bluetooth Low Energy tag trackers
- NB-IoT
- Europe and North America
- IP 67
- Flame retardant
- IK07
- Net powered
- Back up battery



## Connectivity

### NB-IoT

- Energy efficient transceiver
- Internal omnidirectional antenna
- Bi-directional communication
- NB-IoT bands: Europe and North America
- Data recovery
- OTA firmware upgrade (NB-IoT)

### Bluetooth Low Energy (BLE)

- Bluetooth Low Energy 5.0
- Over the air firmware upgrade (BLE)

## Mounting

- Holes 7x9mm ( $\frac{9}{32} * \frac{23}{64}$  in) for screws or rivets. 115 mm ( $4\frac{17}{32}$  in) distance between the centers of the mounting holes.
- Instructions for mounting the device are available in the [Sensolus documentation center](#).

# Mechanics & design

## Antennas

All antennas are internal

## Size

130x72x36 mm ( $5\frac{1}{8} \times 2\frac{53}{64} \times 1\frac{27}{64}$  in )(L W H)

## Weight

218,3 gram (7.68 oz) without cable

## Color

White and black

## Casing

- PBT/PC 29 TM-Z2 FR UV LS
- Flame retardant
- UV-stabilized

## Power supply

- 220-230 V Europe
- 110-115 V North America
- power supply cable length 2 meter

## Back up battery

### Back up battery lifetime when scanning

Utilize the Sensolus battery calculator to assess the lifespan of the backup battery, which varies based on the specific use case.

## Water & dust resistance

IP 67

## Impact resistance

IK 07

## Drop shock and vibration

EN 60068

## Operating temperature

-20°C to 60°C (-4°F to 140°F) \*

Battery life can be affected when devices function for extended periods at the extremes of this range.

## Certifications

### Regulatory

- CE
- FCC
- IC

### Electrical safety

EN 62368-1

## User interaction

### Device activation

Magnetic activation

### Synchronize remote settings

- Instant: Magnet activation
- Periodic: No user interaction needed

### Back up battery characteristics

- User replaceable battery pack (Li-SoCl<sub>2</sub>) 12000 mAh
- 2.94 gram (0.1037oz) lithium

### Bluetooth 5.0

D068598

### Environmental

Drop shock

### LED feedback

Green & red LED feedback on the device

## Management services

### Diagnostics

- Battery lifetime prediction
- Detailed energy consumption
- Installation
- Communication quality

### Management

- OTA firmware updates over NB-IoT and BLE
- Remote configuration
- Zone anchor localization with Sensolus smartphone app

## Application services

- Bluetooth tag tracker scanning
- Act as managed geobeacon

## Tag tracker scanning

- Compatible with all Sensolus supported Bluetooth tag trackers
- Continuously scans up to 2000 Bluetooth tag trackers when net powered\*

\* Discuss with Sensolus when more than 2000 Bluetooth tag trackers need to be scanned at once

## Firmware configuration

### Bluetooth tag tracker scanning configurations

- Scan and send interval
- Bluetooth tag tracker's RSSI scan threshold
- Filter scanned Bluetooth tag trackers on UUID

### Use as geobeacon

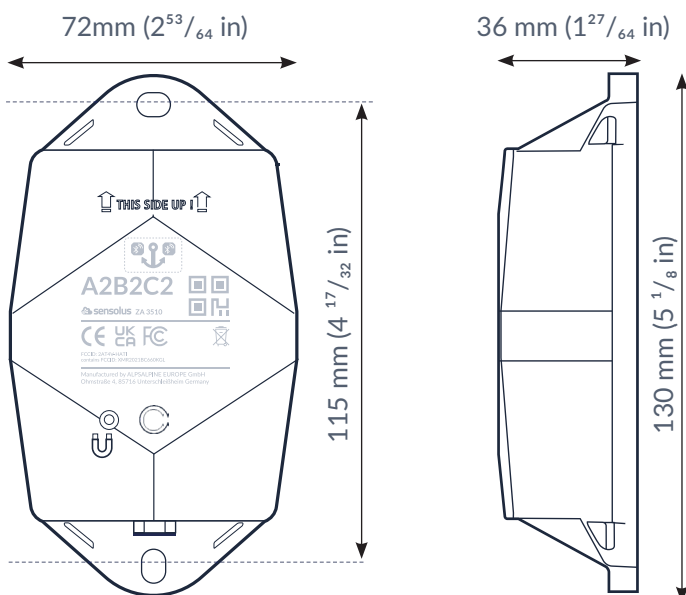
Enabled or disabled

## Security

- Device unique encryption keys
- End to end payload encryption Chacha 20

- AES encrypted firmware
- Firmware upgrade allows only signed firmware images

## Measurements



## Accessories

The ZA 3510 does not ship with a power adaptor. Sensolus has power adaptors for EU, UK and USA.

- ADPT 8500 EU - ZA 3510 net power adaptor EU version
- ADPT 8501 UK - ZA 3510 net power adaptor UK version
- ADPT 8502 US - ZA 3510 net power adaptor US version