



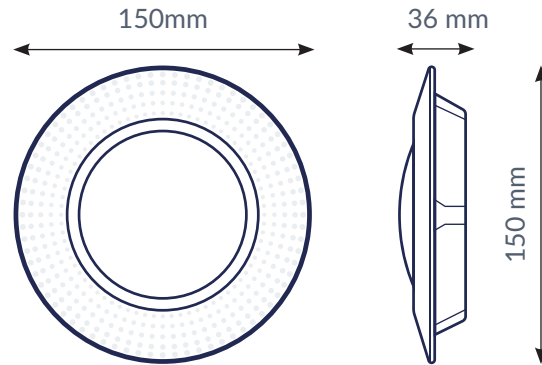


The net-powered anchor for real-time zone localization communicating over ethernet/WIFI

-  Wi-Fi
-  Net powered
-  Power over ethernet
-  Range is up to 30 meters



Connectivity

Compatibility

Compatible with all Sensolus (tag) trackers

Transmission power

Variabel transmission power up to 30 meter.

Mounting

Holes for screws

Mechanics & design

Size

150 x 150 x 36 mm

Operating temperature

-20°C to 65°C

Weight

180 gram

Storage temperatue

-40°C to 85°C

Color

White

Power

- DC 5.0 (+/- 5%) Max. 5.5 Volts micro USB
- Power over ethernet

User interaction

RGB LED Strip as the status indicator

Management services

- OTA firmware upgrades
- Scanninginterval
- Detection range