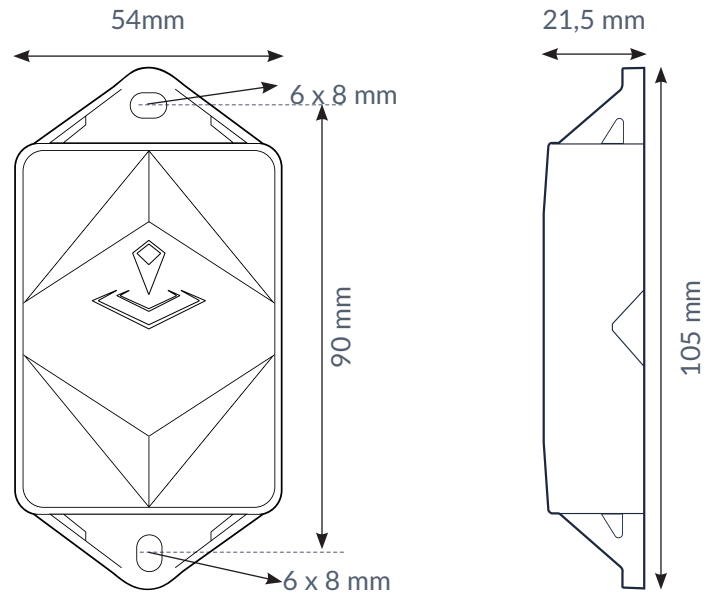


The small low-power tracker with long battery life.  
 Indoor and outdoor localization, zone and high precision.  
 Compatible with multiple external environmental sensors.

- GNSS
- Wi-Fi
- BLE
- Network triangulation
  
- Sigfox
- Multi-region
- Data recovery (patented)
  
- Up to 8 years of battery life
- IP68
- Flame retardant



## Connectivity

### Sigfox

- Energy efficient transceiver
- Internal omnidirectional antenna
- Bi-directional communication
- All regions: RC1/RC2/RC3/RC4/RC5/RC6/RC7
- Dynamic multi-region switching possible
- Data recovery (patented)

### Bluetooth Low Energy (BLE)

- BLE 2.4 GHz
- Bluetooth 5.0 Low Energy
- OTA firmware upgrade

## Geolocalization

### GNSS

- GPS only receiver
- Large patch antenna for optimum performance.

### Wi-Fi

Wi-Fi based geolocalization (optional)

### BLE

- Sensolus proximity beacon detection
- Detectable by zone and high precision anchors

### Sigfox Atlas

Network based geolocalization

## Sensing

### Internal

- Activity monitoring
- Orientation monitoring
- Virtual tamper detection

### External BLE sensors

- Temperature, humidity, air quality
- Person presence, contact, magnet
- Other BLE sensors can be added

## Mounting

- 2 holes 6x8mm for screws or rivets
- Cable ties
- Double sided tape

## Mechanics & design

### Antennas

All antennas are internal

### Size

105x54x21,5 mm (L W H)

### Weight

95 gram

### Color

Translucent black

### Casing

- Polycarbonate (lexan 943A)
- Flame retardant
- UV-stabilized

### Water & dust resistance

IP68

### Operating temperature

-20 to 60°C

### Storage temperature

-40 to 60°C

## Battery

- 3 to 8 years battery life depending on operating mode
- Non replaceable battery pack 5200 mAh 3.0 V(Li-MnO<sub>2</sub>)

## Certifications

### Sigfox

- Sigfox multi-region verified
- All regions class 0 certified

### Regulatory

CE

### Electrical safety

EN-60905-1

### Bluetooth 5.0

Declaration ID: D048003

## User interaction

### Device activation

Magnetic activation

### LED feedback

Green & red LED feedback on the device

### Synchronize remote settings

- Instant: Magnet activation
- Periodic: No user interaction needed

## Management services

### Diagnostics

- Battery lifetime prediction
- Detailed energy consumption
- Geolocation diagnostics
- Installation
- Communication quality

### Management

- OTA firmware updates over BLE
- Remote configuration
- Tracker usage profiles
- External environmental sensors

## Application services

- Localization
- Activity
- Journeys
- Utilization
- Connectable with environmental sensors
- Tilt detection

## Firmware configuration

### Communication service

- Region switching strategy
- Data recovery strategy
- Communication conditions

### General configuration

- Rule engine configuration
- Diagnostic levels
- Boot methods
- Accurate time synchronization

### Orientation service

Orientation detection parameters

### Activity service

Activity detection parameters

### Location service

- Motion based, context based, periodic or scheduled
- Configurable update rate and journey detection
- Priority sequence (GNSS, Wi-Fi, BLE, network)
- GNSS fix parameters
- Indoor detection algo
- Wi-Fi scan strategy
- BLE scan strategy

### Environmental sensing

- Polling and aggregation strategy
- Alerts
- Edge processing parameters

### Tamper service

Virtual tamper algo configuration

## Security

- Sigfox communication AES encryption
- Device unique encryption keys
- End to end payload encryption Chacha 20
- AES encrypted firmware
- Firmware upgrade allows only signed firmware images