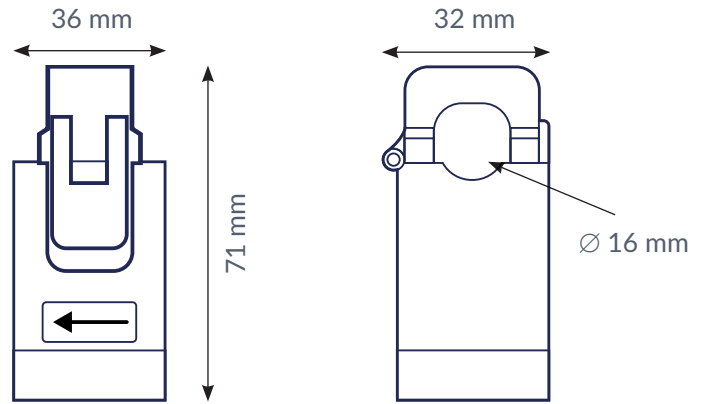


This sensor accumulates the total duration a direct current is flowing in the forward and/or backward direction above a configurable threshold. It can for example measure if the battery of an asset is discharged (asset being used) or charged (battery being charged).

- Battery powered
- Range up to 35 meters
- Direct current only measurements
- Bluetooth communication with tracker



## Sensor characteristics

### Measure current range

- Measure Current Range 0.3A ~ 20A DC
- Resolution 100mA DC
- Accuracy 5A ~ 20A DC +\_3%
- Max. measure voltage DC 900V

### Sampling interval

Every 30 seconds

## Connectivity

### Transmission range

Up to 35 meters

### BLE advertisement period

2 seconds at +0dBm

## Mounting

Clip the sensor around the electrical cable. No need to glue or screw the sensor.

## Mechanics & design

### Size

71x 36 x 36 mm

### Operating temperature

-20°C to +50°C

### Weight

80 gram

### Casing

NYLON Flame Retardant (UL-94V0)

## Configuration

- Forward current threshold
- Backward current threshold

Configurable with the Sensolus mobile app

## Battery

- Up to 5 years battery life
- User replaceable CR2477X 3V Lithium battery

## Certificates

### Europe

CE