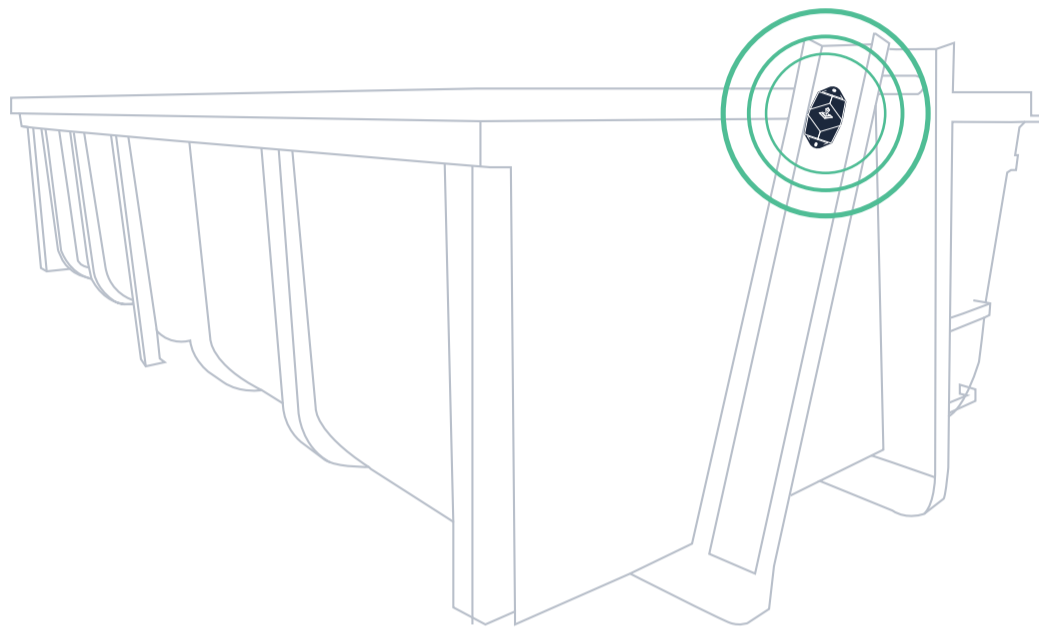


General guidelines

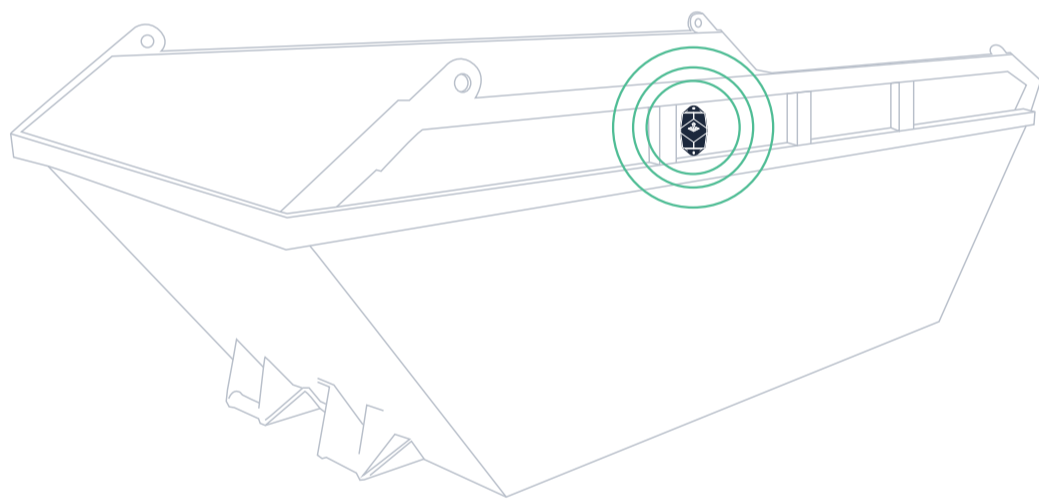
- Make sure the tracker is not fully surrounded by metal parts, it blocks the signal.
- Protect the tracker by the container's shape if possible.
 - Between metal ribs
 - On metal studs
- Do not install the tracker on outside sticking parts of the waste container, the tracker might get damaged by the transport of the waste container.
- Keep the picking up and putting down of the waste container in mind. Do not install the tracker close to the pick up parts of the container
- Avoid installation on moving parts of the container at all time.

Low pick up containers



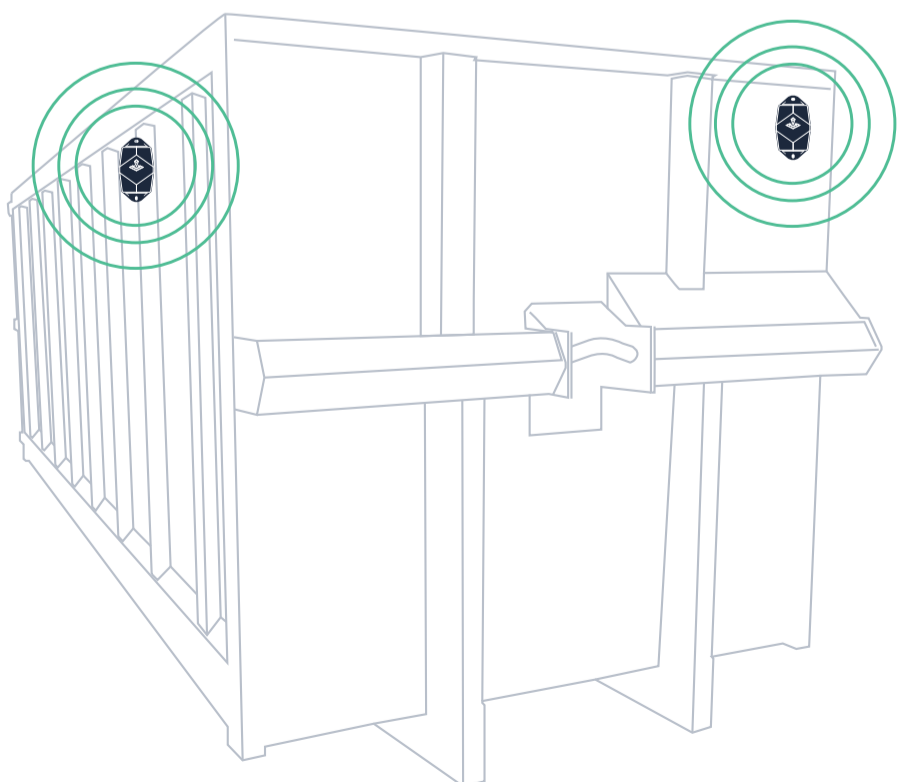
Do's	Dont's
<ul style="list-style-type: none"> • Install the tracker as high as possible • Vertical installation if possible • Clear view on the sky • Protected by the asset itself (in between metal ribs) • Use bolts and nuts to install the tracker 	<ul style="list-style-type: none"> • On moving parts (lids, doors) • Close to the pick up bars • Under the container (bad signal) • On the very outside where the tracker might get hit by other equipment

Slanted pick up containers



Do's	Dont's
<ul style="list-style-type: none"> • As high as possible • Vertical installation if possible • Clear view on the sky • Protected by the asset itself (in between metal ribs) • Use bolts and nuts to install the tracker 	<ul style="list-style-type: none"> • Not on moving parts (lids, doors) • Close to the holes where chains are attached • Under the container • On the side where the tracker might get hit by other equipment • On the slanted sides

High waste containers



Do's	Dont's
<ul style="list-style-type: none"> • As high as possible • Vertical installation (logo up) • Clear view on the sky • Protected by the asset itself (in between metal ribs) • Use bolts and nuts to install the tracker 	<ul style="list-style-type: none"> • On moving parts (lids, doors) • Close to the pick up bars • Under the container • On the very outside where the tracker might get hit by other equipment • Inside the container